

Datasheet

# 2.5" SATA SSD

## 3SE4 series

- 2.5" SATA III solution for industrial field
- 7mm height mechanical design
- DRAM-less, high-level data integrity
- L<sup>3</sup> architecture extends lifespan
- Excellent IOPS boosts system performance
- Built-in thermal sensor
- Support S.M.A.R.T, TRIM, NCQ and iData Guard



### Introduction

Innodisk 2.5" SATA SSD 3SE4 is characterized by L<sup>3</sup> architecture with the latest SATA III (6.0GHz) Marvell NAND controller. Innodisk's exclusive L<sup>3</sup> architecture is L<sup>2</sup> architecture multiplied LDPC (Low Density Parity Check). L<sup>2</sup> (Long Life) architecture is a 4K mapping algorithm that reduces WAF and features a real-time wear leveling algorithm to provide high performance and prolong lifespan with exceptional reliability.



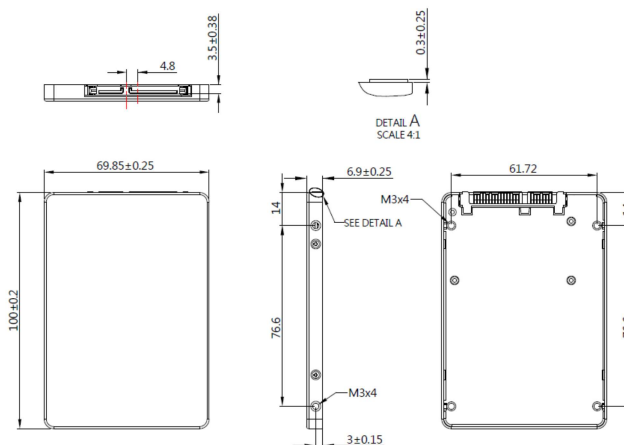
# 2.5" SATA SSD

## 3SE4 series

### Drawing

Contact us for more information  
about the 2.5" SATA SSD 3SE4

Innodisk is a service-driven provider of industrial embedded flash and DRAM storage products and technologies, with a focus on the industrial/embedded, aerospace and defense, and cloud computing industries.



## Specifications

Interface	SATA III
Flash Type	SLC
Flash P/E Cycle Limit	60,000
Capacity	8GB~64GB
Max. Channels	2
Sequential R/W (MB/sec, max.)	520/360
Max. Power Consumption	1.1 W (5V x 220 mA )
Thermal Sensor	Supported
External DRAM Buffer	-
H/W Write Protect	-
S/W Write Protect	Supported
Pin7 Power	-
ATA Security	Supported
S.M.A.R.T.	Supported
Dimension (WxLxH)	69.85 X 100.10 X 6.9 mm
Environment	Vibration: 20G @7~2000Hz Shock: 1500G @ 0.5ms Storage Temperature: -55°C ~ +95°C MTBF: 3 million hours

## Ordering Information

Operation Temp.	8GB	16GB	32GB	64GB
Standard Grade (0°C ~ +70°C)	DES25-08GM41SCADB	DES25-16GM41SCADB	DES25-32GM41SCADB	DES25-64GM41SCADB
Industrial Grade (-40°C ~ +85°C)	DES25-08GM41SWADB	DES25-16GM41SWADB	DES25-32GM41SWADB	DES25-64GM41SWADB

