

Datasheet

mSATA

3ME4 series

- SATA 6.0 Gb/s interface
- Followed JEDEC MO-300/MO-300B standard
- LDPC technology secures SSD reliability
- DRAM-less, high-level data integrity
- L³ architecture extends lifespan
- Excellent IOPS boosts system performance
- Built-in thermal sensor
- Support S.M.A.R.T, TRIM, NCQ and iData Guard



Introduction

Innodisk mSATA 3ME4 is SATA III 6.0 Gb/s flash based disk, which adopts latest Marvell NAND controller with Innodisk's exclusive L³ FW architecture. The upgraded L³ FW architecture, combining Innodisk signature 4K mapping algorithm L² FW architecture with powerful LDPC technology, makes 3ME4 series have outstanding high IOPS, better data integrity and extended lifespan through reducing the bad block number happening. Built-in thermal sensor, and iData Guard ensure data integrity and reliability of mSATA 3ME4 for industrial applications.



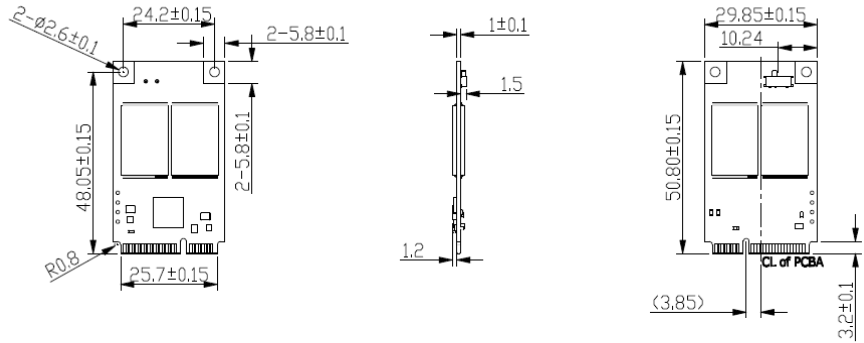
mSATA

3ME4 series

Contact us for more information about the mSATA 3ME4.

Innodisk is a service-driven provider of industrial embedded flash and DRAM storage products and technologies, with a focus on the industrial/embedded, aerospace and defense, and cloud computing industries.

Diagram



Specifications

Interface	SATA III
Flash Type	MLC
Capacity	8GB~256GB
Max. Channels	2
Sequential R/W (MB/sec, max.)*	530 / 210 MB/s
4KB Random (QD32) R/W (IOPS)**	32,000/31,000
Max. Power Consumption	0.6 W (3.3 V x 0.2 A)
Thermal Sensor	√
External DRAM Buffer	-
H/W Write Protect	Optional
ATA Security	√
S.M.A.R.T.	√
Dimension (WxLxH)	29.85 X 50.8 X 3.7 mm
Environment	Vibration: 20G @7~2000Hz Shock: 1500G @ 0.5ms Storage Temperature: -55°C ~ +95°C MTBF: 3 million hours
* Sequential performance based on CrystalDiskMark 3.01 with file size 1000MB	
** Random performance based on IOMeter with Queue Depth 32	

Ordering Information (Please refer to TPS for detail)

Operation Temp.	8GB	16GB	32GB	64GB	128GB	256GB
Standard Grade (0°C ~ +70°C)	DEMSR-08GM41BC1SC	DEMSR-16GM41BC1DC DEMSR-16GM41BC1SC	DEMSR-32GM41BC1DC	DEMSR-64GM41BC1DC	DEMSR-A28M41BC1DC	DEMSR-B56M41BC1DC
Industrial Grade (-40°C ~ +85°C)	DEMSR-08GM41BW1SC	DEMSR-16GM41BW1DC DEMSR-16GM41BW1SC	DEMSR-32GM41BW1DC	DEMSR-64GM41BW1DC	DEMSR-A28M41BW1DC	DEMSR-B56M41BW1DC



innodisk