

MVK-MPNIO DIO8 (DIO8)

Use only as spare part! newer version! – contact Murrelektronik

Digital inputs/outputs

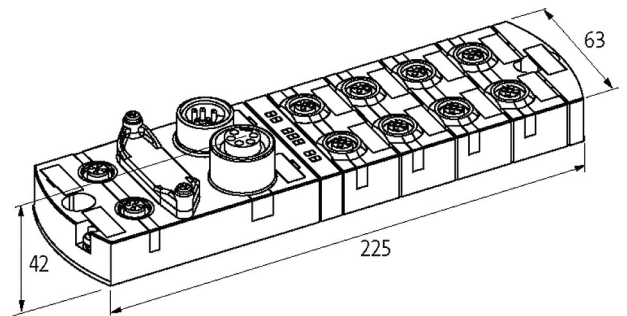
DIO8 DIO8

Ethernet 10/100 Mbit/s; M12, D-coded

7/8", 5-pole, 2× max. 9 A

M12, 5-pole, A-coded

Connection cables are in the online shop under "Connection Technology". Housing fully potted.

[Link to Product](#)**Illustration**

Product may differ from Image

Approvals**More Info****Input**

Sensor supply US 24 V DC (EN 61131-2), max. 200 mA (M12 female), short-circuit and overload protected

Type for 3-wire sensors or mechanical switches, PNP

Connections

Fieldbus Ethernet 10/100 Mbit/s; M12, D-coded

Sensor-system/actuator supply 7/8", 5-pole, 2× max. 9 A

I/O ports M12, 5-pole, A-coded

Module supply

The information in this brochure has been compiled with the utmost care.

Liability for the correctness completeness and topicality of the information is restricted to gross negligence. Version: 04/20

Murrelektronik GmbH | Falkenstraße 3 | 71570 Oppenweiler | Fon +49 (71 91) 47-0 | Fax +49 (71 91) 47-491000 | shop@murrelektronik.com | shop.murrelektronik.com

Operating voltage	24 V DC (EN 61131-2)
-------------------	----------------------

General data

Protection	IP67
Mounting method	2-hole screw mounting
Dimensions H×W×D	42×63×225 mm
Temperature range	-25...+55 °C (storage temperature -25...+70 °C)

PROFINET

Specification	V2.2, Conformance Class B
Addressing	DCP

Output

Actuator supply UA	24 V DC (EN 61131-2), max. 9 A
Switching current per output	max. 1.6 A (short-circuit and overload protected)
Lamp load	10 W

Parameterization

PIN 4	Input/Output
PIN 2	Input/Output/Diagnostic

Diagnostic

Communication status	via LED
Diagnostic via LED	per module and channel
Diagnostic via BUS	per module and channel
Monitoring - under voltage	yes
Monitoring - no voltage	yes
Short-circuit and overload	yes
Actuator warning	per channel via LED and BUS
Cable break	per port

Commercial data

country of origin	DE
customs tariff number	85389099
EAN	4048879051620
eClass	27242604
Packaging unit	1